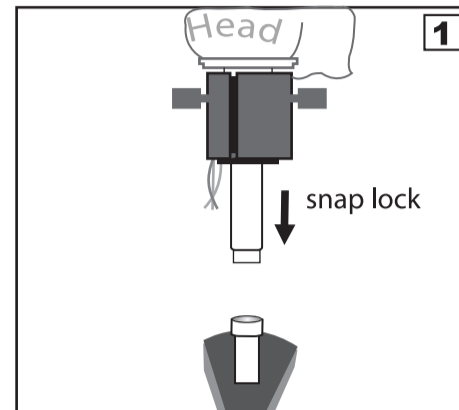


TOMBSTONE LIFTER™

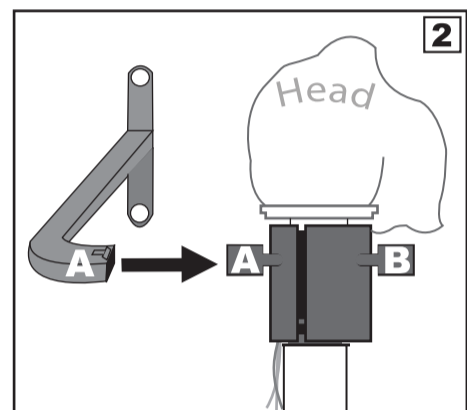
Setup instructions:



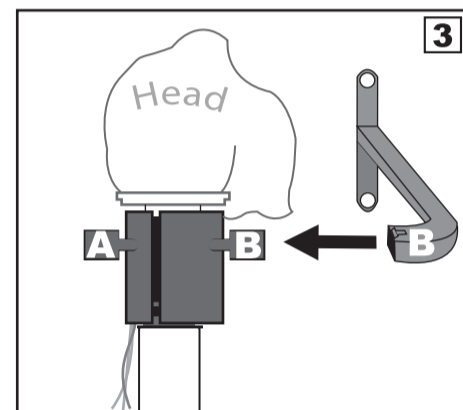
- PARTS:**
 1. HEAD WITH POLE & CLOTHING
 2. BASE WITH POLE
 3. FEET (2)
 4. TOMBSTONE (2 Halves)
 5. ARMS (2)
 6. SPIKES (2)



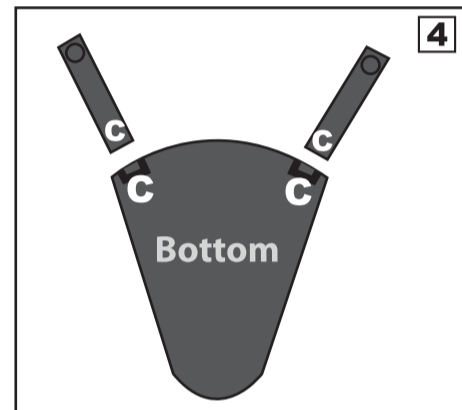
1. Snap lock together the Head with Pole and Clothing to the Base with Pole.



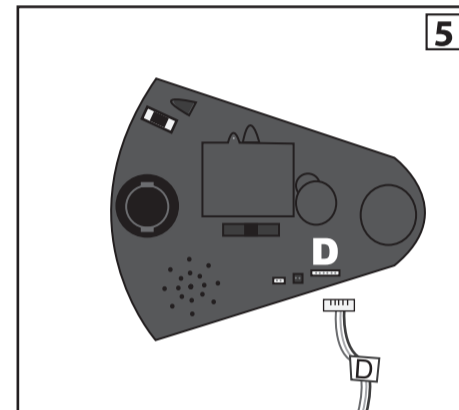
2. Insert ARM into arm socket under HEAD (Match A to A). Press until you hear a "click".



3. Repeat for other ARM labeled B.

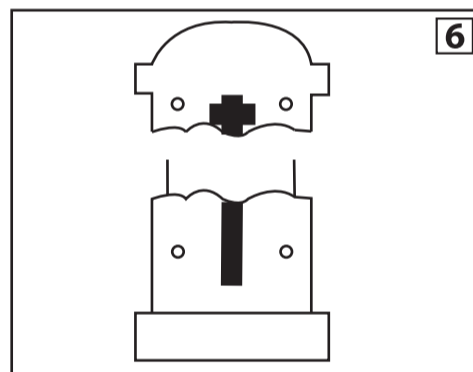


4. Insert Feet into bottom of BASE (Match C to C).

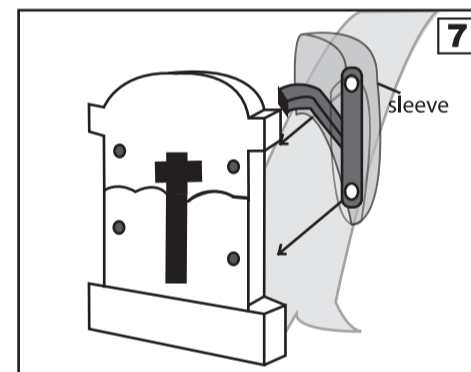


5. Insert cable labeled D into jack labeled D on BASE.

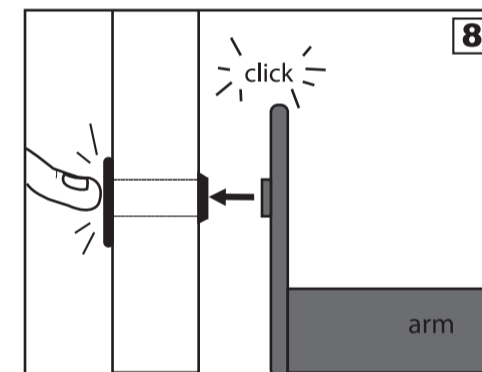
TOMBSTONE ASSEMBLY



6. Insert SPIKES into bottom 1/2 of TOMBSTONE. Then, attach top 1/2 of TOMBSTONE.

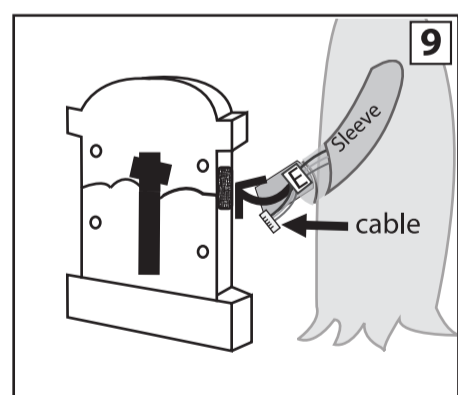


7. Place SNAPS seated in TOMBSTONE into holes on ARMS.

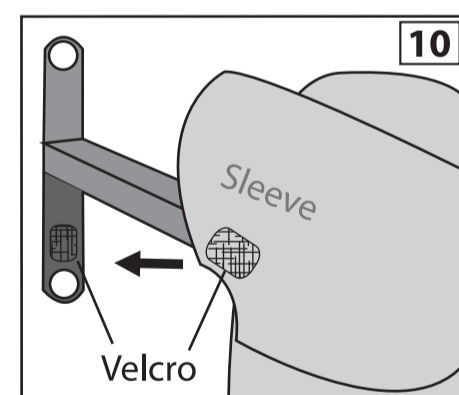


8. Holding SNAPS in place, firmly press ARMS onto SNAPS until they "click" and will not pull off easily.

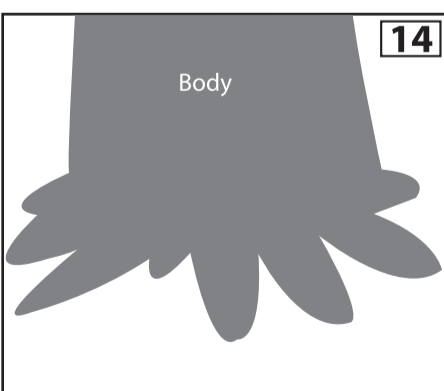
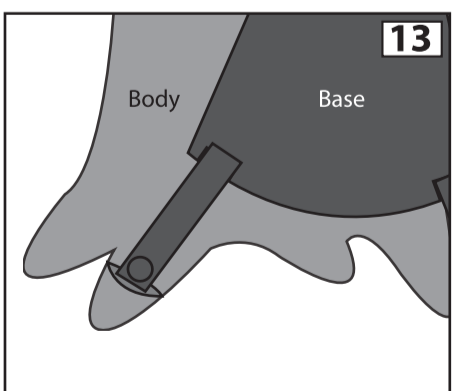
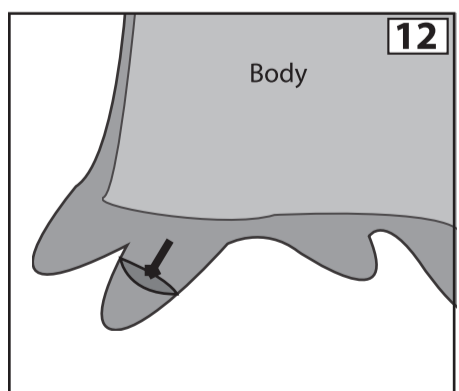
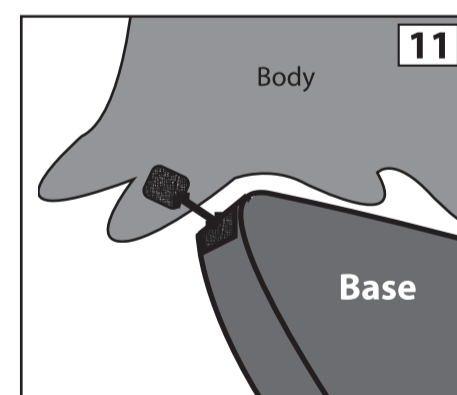
9. Insert cable labeled E into jack labeled E on Tombstone, and attach Velcro on sleeves to Velcro on sides of TOMBSTONE.



10. Release tie holding clothes and attach Velcro under sleeves to Velcro on lower part of ARMS.



11. Attach Velcro on back of BASE to Velcro under clothing.



12. Locate fabric pockets on bottom of clothing and open.
 13. Slide both feet into pockets
 14. Spread out clothing on bottom as shown.

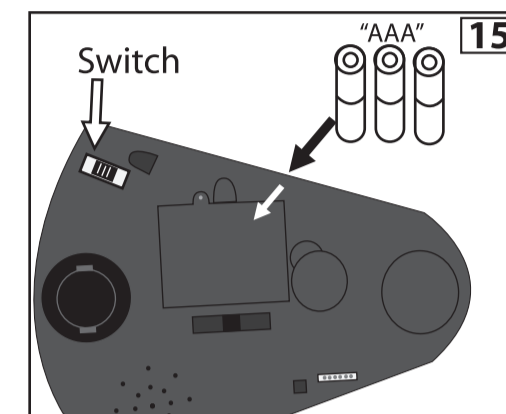
STOP DO NOT RETURN THIS ITEM TO THE STORE!
 If experiencing technical difficulties, please go to www.tekkytoys.com.



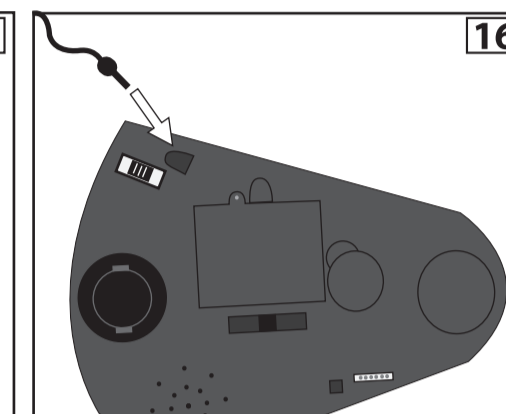
TOMBSTONE LIFTER™

Setup instructions:

Continued



15. Insert batteries (3 "AA") into battery compartment located on BASE, or

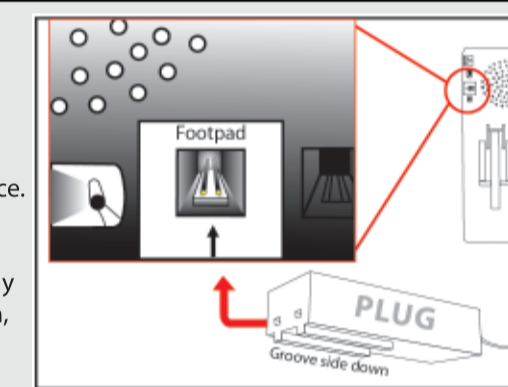


16. Connect 4.5 V 1.5 A DC adapter.

Turn switch on top of BASE to ON to operate in Timer/Sound mode (Lifter will function with 2 minute breaks between cycles - or, clap during 2 minute break to instantly start Lifter playing again). Leave switch in OFF position when not in use.

Optional Footpad Setup

- Follow initial installation instruction first.**
 1. Connect wire from optional footpad to the jack labeled FOOTPAD located on the base.
 2. Place the switch on the base into 'FOOTPAD' position to enable FOOTPAD activation.
 3. Step on FOOTPAD to activate the scary sequence.



NOTE:
 When plugging in, make sure pins line up properly with holes on plug. Align plug, groove side down, with the notch.

Caution!
 Not aligning the plug to jack properly may cause permanent damage to Foot Pad jack of your item. **DO NOT** use excessive force when inserting jack.

*Footpads are sold separately and can be purchased at www.tekkytoys.com.

Hints for better performance:

Make sure to place the TOMBSTONE LIFTER on level ground to ensure best operation. Place weight on module or feet to increase stability. Keep area around TOMBSTONE LIFTER clear of obstructions.

***** No weight should be placed on the item. *****

Caution:
 Do not touch cords, or any part connected when plugged in.
 Do not operate in wind/rain.
 Do not operate until you have completely finished assembly.
 For best overall performance, please shut off when not in use.

SMART PHONE SCAN
 SETUP VIDEO



TOMBSTONE LIFTER is a trademark of Tekky Toys.
 Copyright © 2008 Tekky Toys. All Rights Reserved.
MADE IN CHINA

Create your own Halloween scene with all of Tekky Toys' animated products!
www.tekkytoys.com



STOP DO NOT RETURN THIS ITEM TO THE STORE!
 If experiencing technical difficulties, please go to www.tekkytoys.com.